

USER INSTRUCTIONS

MEDECI BATH STEP

F24256	Medeci Bath Seat 152mm (6")	F24268	Medeci Bath Seat 203mm (8")
F24279	Medeci Bath Seat 305mm (12")		

⚠ General Safety Warning ⚠

Please make sure that you read and follow these instructions carefully. Keep these instructions in a safe place for future reference.

Maximum User Weight



1. INTENDED USE

The Medeci Bath seat is designed to provide a raised bathing seating position. It is secured to the base of the bath using the sucker feet and to the sides of the bath with the non-slip rubber width adjusters. It is often recommended that the Medeci Bath Seat is used in conjunction with a bath board.



2. SAFETY

Warning: The maximum user weight must not be more than 190Kg (30st).

Ensure the bath and seat are clean and dry before use.

Ensure all the bath seat sucker feet are securely fixed and fitted flat on the base and not angled by the curvature of the bath.

Do not attempt to remove the bath seat before releasing the width adjusters and sucker feet, as this may damage the bath seat.

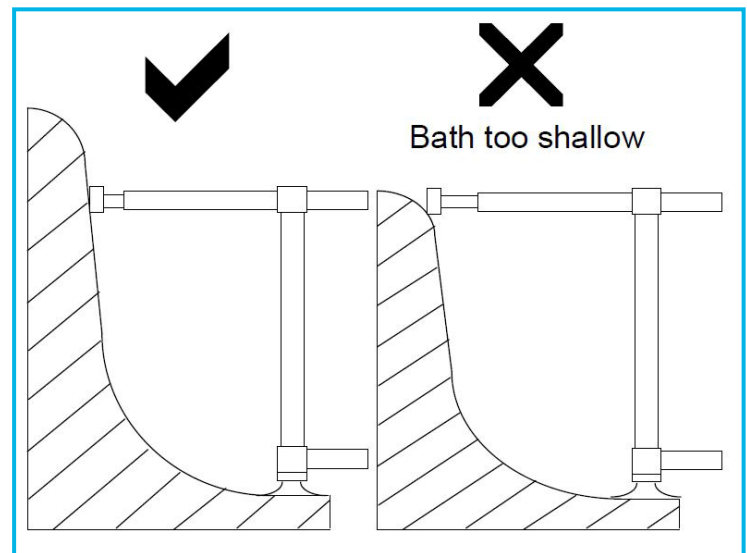
Do not use in a highly sculptured or unusual shaped bath, as the seat may not fit properly. The product is not suitable for use in a bath with a textured base.

Always check the bath seat is securely fitted before use.

3. UNPACKING

Remove the packaging and check all parts carefully. Contact your supplier immediately if parts are missing or damaged and do not try and assemble.

4. ASSEMBLY/INSTALLATION



Ensure the bath is deep enough before fitting the bath seat. It is important that the rubber ends of the seat make a good tight contact against the flat part of the bath side and away from any curvature.

Note: Before installation, ensure the bath and bath seat sucker feet are completely dry and clean.

4.1 Adjust the width:



Make sure the seat is narrow enough to fit in the bath by turning the adjuster wheels simultaneously.

4.2 Placing in the bath:

Place centrally in the required position ensuring the sucker feet are flat on the base and not angled by the curvature of the bath. Press firmly down to secure sucker feet

4.3 Securing in place:



Turn both adjusters to widen the seat surface and continue turning until the edges of both sides of the seat press firmly against the sides of the bath. The seat should now feel firm and stable. If it does not, continue turning the adjusters to widen the seat until it feels secure.

4.4 Correct fitting:

We would recommend the safest way to use the seat is to stand on the floor next to the bath and then to sit down directly onto the seat. Legs can then be lifted, one at a time, over and into the bath. If the distance between the bath side and the seat is too great it is recommended that the seats are used in conjunction with a bath board, this particularly applies to the 8”(203mm) and 6”(152mm) versions. Sit on the bath board first in the same manner as described above before moving down onto the bath seat.

4.5 Removing:

To remove the bath seat turn the adjustment wheels to reduce the width so that the seat is no longer in contact with the bath sides. Release the sucker feet by lifting the tabs. It should now be possible to remove the bath seat.

5. MAINTENANCE

Regular inspection of the Medeci Bath Seat is recommended for signs of wear or damage.

6. CLEANING INSTRUCTIONS.

Clean regularly, wipe down using a mild detergent or disinfectant solution.

Do not use an abrasive detergent, cleaner or cloth.

This Medeci Bath Seat may be cleaned with warm dilute solutions of bleach or antiseptic (not exceeding 80 Degrees)

7. PRODUCT DISPOSAL

This product must be thoroughly cleaned/sterilised prior to disposal.

This product is manufactured from plastic and can be disposed of through Local Authority Household Waste and Recycling Centres or through Local Trade Waste Collectors.

8. PRODUCT GUARANTEE

NRS Healthcare guarantee this product for a period of 12 months, from the date of purchase, against faulty materials and workmanship.

This guarantee does not cover; abuse, misuse, interference or tampering with any part of the product.

Any guarantee issued by NRS Healthcare does not affect your statutory rights.

NRS HEALTHCARE Sherwood House, Cartwright Way, Forest Business Park
Bardon Hill, Coalville, Leicestershire, LE67 1UB, UK.

Tel: Customer Services: 0345 121 8111

Email: customerservice@nrshealthcare.co.uk

NRS Healthcare is a leading supplier of community equipment and daily living aids.
Please visit one of our websites to view our full range of products:
www.healthcarepro.co.uk or www.completecareshop.co.uk