

M54234

Standard Bed Stick - White, Powder Coated Steel

⚠ General Safety Warning ⚠

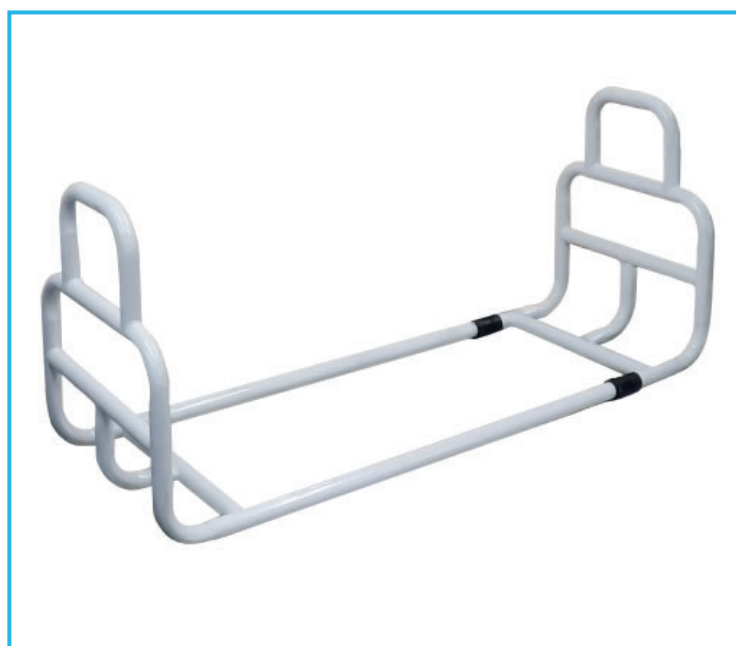
Please make sure that you read and follow these instructions carefully. Keep these instructions in a safe place for future reference.

Maximum User Weight



1. INTENDED USE

The NRS Standard Bed Stick provides stable support to aid adult users (taller than 1.46m) transfer in and out of bed, moving from a lying to a sitting position as well as assist user repositioning. This product is suitable for both divan and slatted domestic beds and is suitable for all bed sizes from single to king-size.



DO NOT install this product to a damaged bed.

MAKE SURE there is no gap between the bed rail and the mattress.

DO NOT fit this product to profiling or medical beds.

3. UNPACKING

Remove the packaging and check all parts carefully. Contact your supplier immediately if parts are missing or damaged and do not try and assemble.

3.1 Contents:

1. Bed Stick Long x 1
2. Bed Stick Short x 1
3. E-Clip x 2

4. ASSEMBLY

Assemble the bed stick by sliding the two chrome extension tubes into the long bed stick handle select the correct holes to suit the bed size, and secure with the 2 x e-clips.

5. INSTALLATION

Remove the mattress and place the bed rail onto the base of the bed.

Position the bed rail so the user can reach the handle from a relaxed lying position without having to stretch.

Warning: To avoid possible entrapment, you must always position the product a minimum of 318mm from the headboard or footboard.

Warning: To avoid possible entrapment, you must always position the product a minimum of 318mm from solid objects/furniture such as bedside drawers or cabinets.

Make sure the mattress is resting firmly against the bed stick handles, to prevent the risk of entrapment.

2. SAFETY



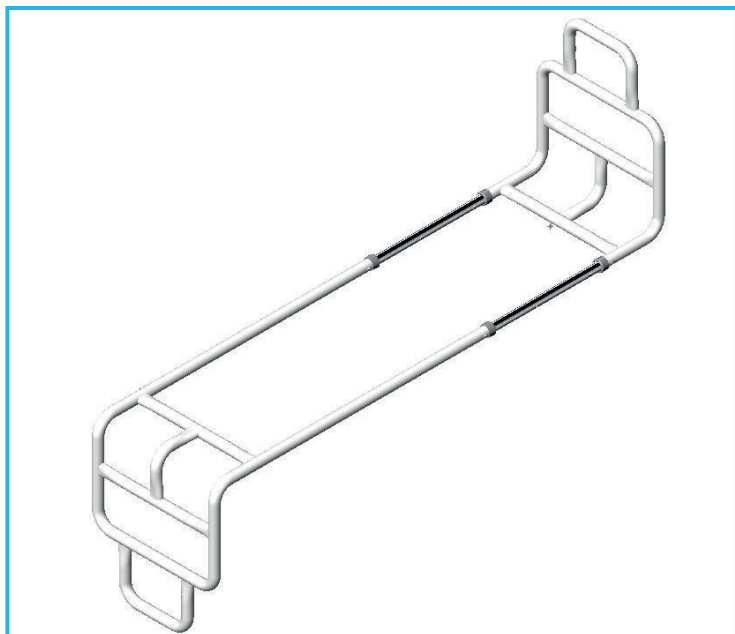
Warning: To avoid possible entrapment, you must always position the product a minimum of 318mm from the headboard or footboard.

Warning: To avoid possible entrapment, you must always position the product a minimum of 318mm from solid objects/furniture such as bedside drawers or cabinets.

Warning: The maximum user weight must not be more than 190Kg (30st).

YOU MUST carry out a risk assessment to assess the use and suitability of the bed rail in relation to the users physical and cognitive ability, as well as the surrounding environment.

Note: The handles can be reversed if not required on the opposite side of the bed, see diagram below (divan beds only.)



6. MAINTENANCE

Always: Check the bed stick is correctly positioned.

Regularly: Inspect the product for signs of wear or damage.

Any suspected faults or damage should immediately be reported to the supplier and the product taken out of use.

7. CLEANING INSTRUCTIONS.

Clean regularly using a general purpose, neutral detergent and warm water.

Please check the suitability of the cleaning products before use. Do not use abrasive cleaners or cloths as these could permanently damage the surface and invalidate any warranty.

To disinfect, wipe with a dilute bleach solution, and rinse thoroughly with fresh water.

This product is suitable for thermal decontamination and can be steam cleaned or autoclaved on cleaning cycles up to 80°C.

Allow product to fully dry prior to use/storage.

8. PRODUCT DISPOSAL

This product must be thoroughly cleaned/sterilised prior to disposal.

This product is manufactured from metal and plastic and can be disposed of through Local Authority Household Waste and Recycling Centres or through Local Trade Waste Collectors.

9. PRODUCT GUARANTEE

NRS Healthcare guarantee this product for a period of 12 months, from the date of purchase, against faulty materials and workmanship.

This guarantee does not cover; fair wear & tear, abuse, misuse, interference or tampering with any part of the product.

Any guarantee issued by NRS Healthcare does not affect your statutory rights.

If you have any problems with our products, please contact us at the address below.

If you have experienced an injury, contact us but feel free to contact the Medical and Healthcare products Regulatory Agency at:

devices.regulatory@mhra.gov.uk

UK CA NRS HEALTHCARE Sherwood House,
Cartwright Way, Forest Business Park, Bardon
Hill, Coalville, Leicestershire, LE67 1UB, UK.

CE NRS HEALTHCARE 4C Altona Road, Blaris
Industrial Estate, Lisburn, Co Antrim,
Northern Ireland BT27 5QB

Tel: Customer Services: 0345 121 8111

Email: customerservice@nrshealthcare.co.uk

NRS Healthcare is a leading supplier of community equipment and daily living aids.

Please visit one of our websites to view our full range of products:

www.healthcarepro.co.uk or www.completecareshop.co.uk